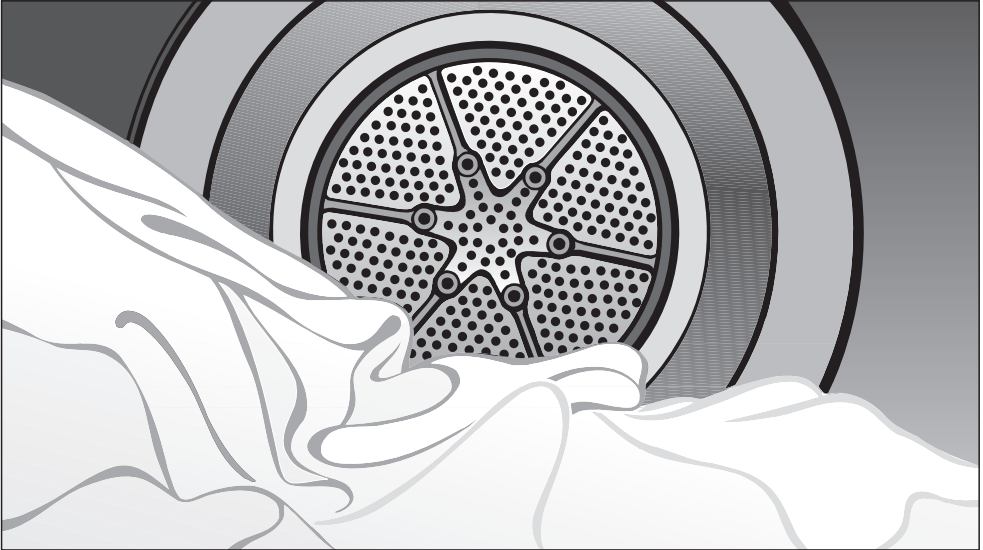


Miele

TOUCHTRONIC



Operating Instructions Vented Dryer T 1405

To prevent accidents
and machine damage,
read these instructions
before
Installation or use.

HT12




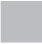






M.-Nr. 05 313 361


Table of Contents


| | |
|---|----|
| IMPORTANT SAFETY INSTRUCTIONS | 3 |
| Control panel | 5 |
| Before loading the dryer | 6 |
| Using the dryer | 7 |
| 1. Turn on the dryer and load the laundry | 7 |
| 2. Select a program | 7 |
| 3. Select a drying option (if needed) | 9 |
| 4. Select the dryness level. | 10 |
| 5. Select the buzzer (if desired). | 10 |
| 6. Start the program. | 11 |
| 7. At the end of a program. | 11 |
| Canceling or changing a program. | 12 |
| Adding or removing laundry during a program | 12 |
| Child lock | 13 |
| Dryer care | 14 |
| Cleaning the lint filter | 14 |
| Cleaning the exterior and the control panel. | 15 |
| Cleaning the drum | 15 |
| Changing the light bulb | 16 |
| Frequently asked questions | 17 |
| Quick Guide | 19 |
| Technical Service | 19 |
| Installation instructions | 21 |
| IMPORTANT SAFETY INSTRUCTIONS | 22 |
| Caring for the environment | 23 |
| Washer / Dryer Stack | 24 |
| Electrical connection | 25 |
| Installation | 26 |
| Leveling the dryer | 27 |
| Determining the position of the exhaust connection | 27 |
| Installation tips | 28 |
| Exhaust connection with a flexible exhaust hose or rigid pipe | 29 |
| Direct wall connection | 30 |
| How to calculate the effective duct length. | 31 |

IMPORTANT SAFETY INSTRUCTIONS


 **WARNING** - To reduce the risk of fire, electric shock, or injury to persons when using your appliance, follow basic precautions, including the following:


-  Read all instructions before using the appliance.
-  Do not dry articles that have been previously cleaned, washed, soaked or spotted with gasoline, dry-cleaning solvents or other flammable or explosive substances. They may give off vapors that could ignite or explode.
-  Do not allow children to play on or in the appliance. Close supervision is necessary when the appliance is used near children. Always close the door after use to prevent child hazards.
-  Before this appliance is removed from service or discarded, remove the door to the drying compartment.
-  Do not reach into the dryer if the drum is moving.
-  Do not install or store this appliance where it will be exposed to the weather.
-  Do not tamper with the controls.


 Do not repair or replace any part of the appliance or attempt any servicing unless specifically recommended in these operating instructions. Repairs to electrical appliances should only be performed by qualified personnel. Incorrectly repaired machines may pose a considerable risk to the user.

 Do not use heat to dry articles containing foam rubber or similarly textured rubber-like materials, or items containing hair spray, nail polish remover or similar substances.

 Clean the lint filter before or after each load.

 Keep the area around the air intake (toekick) and adjacent surrounding areas free from lint, dust and dirt.

 The interior of the machine and exhaust duct should be cleaned periodically by qualified personnel.

 Do not place items exposed to oils in your dryer. Items contaminated with oils may contribute to a chemical reaction that could cause the laundry to catch fire.

This dryer is intended for residential use only!

IMPORTANT SAFETY INSTRUCTIONS

GROUNDING INSTRUCTIONS

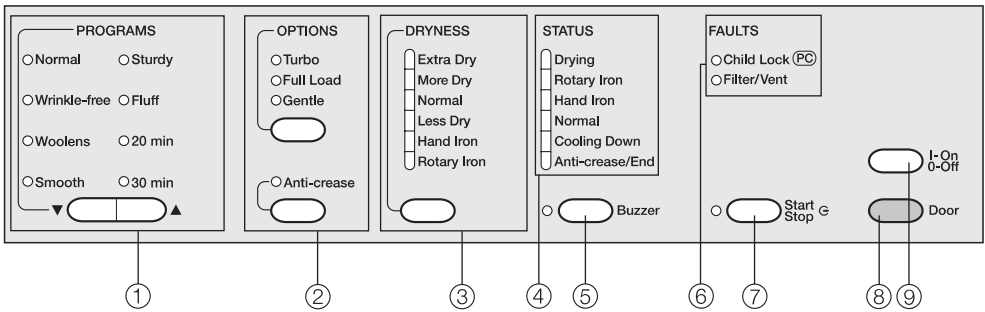
■ This appliance must be grounded. In the event of malfunction or breakdown, grounding will reduce the risk of electric shock by providing a path of least resistance for electric current.

This appliance is equipped with a cord having an equipment-grounding conductor and a grounding plug. The plug must be plugged into an appropriate outlet that is properly installed and grounded in accordance with all local codes and ordinances.

■ **WARNING** – Improper connection of the equipment grounding conductor can result in a risk of electric shock. Contact a qualified electrician if you are in doubt as to whether the appliance is properly grounded.

■ Do not modify the plug provided with the appliance: if it will not fit the outlet, have a proper outlet installed by a qualified electrician.

SAVE THESE INSTRUCTIONS



① ▼▲ "PROGRAMS" buttons

For selecting a drying program.

② "OPTIONS" buttons

For selecting a drying option.

③ "DRYNESS" button

For selecting the dryness level of finished laundry.

④ "STATUS" display

Shows the current cycle of the drying program.

⑤ "Buzzer" button

When selected, a buzzer will sound at the end of a program.

⑥ "FAULT" indicators

An illuminated indicator will alert you if the child lock has been activated or if a fault occurred.

⑦ "Start/Stop" button G

Starts and stops a program.

Interrupts a program when pressed.

Flashes during program selection and lights once the program starts.

⑧ "Door" button

Opens the door when the program has finished. If the dryer is on, the drum interior will light when the door is opened. If the door is left open, the light will go off after a few minutes to save energy.

⑨ "On/Off" button

Turns power to the machine on and off.

Before loading the dryer

The dryer must be correctly installed and connected before the first use. Please refer to the "Installation Instructions".

- Before using for the first time clean the drum with a cloth.

Before drying, check fabric care labels for special drying instructions.

- Dry with normal temperature
- Dry with low temperature (select "Gentle" option)
- Do not dry in a tumble dryer

- Do not overload the drum! Overloading the dryer will result in poor drying results and wrinkling.
- **Knitted fabrics and flannel** tend to shrink when washed and dried for the first time. Do not overdry these fabrics.
- To prevent discoloration, do not dry **new, dark-colored fabrics** with light-colored items.
- Close zippers and tie up fabric belts and apron ties to prevent tangles and damage to clothing.
- Do not dry items that may melt or ignite in the dryer, such as plastics, rubber or sneakers.

Program recommendations

Normal

- Cottons and Permanent Press blends

Wrinkle-free

- Permanent Press: select the **Hand Iron** dryness and reduce the load size for best drying results
- Delicate fabrics, such as polyester: select the **Gentle** option to reduce creasing
- Pure linen and down filled items

Woolens

- Wool and wool blends

Smooth

- Linen
- Permanent Press (cottons, blends and synthetics)

Sturdy

- Durable Cottons and Permanent Press

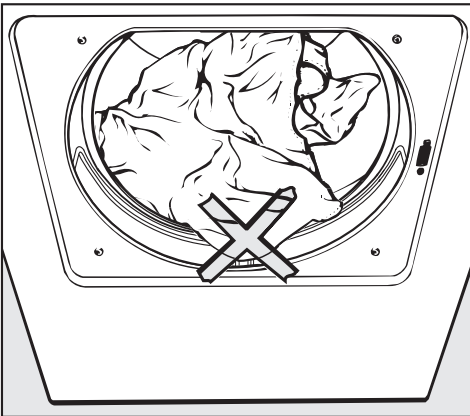
Fluff / 20 min / 30 min

- All fabric types

1. Turn on the dryer and load the laundry

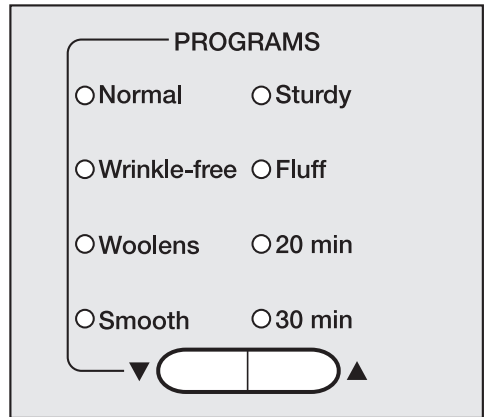
- Press the "On/Off" button to turn on the dryer.
- Press the "Door" button to open the door.
- Load the laundry loosely into the drum.
- Make sure the lint filters are in place.
- Close the door with a firm swing - do not push it shut.

For best results use liquid fabric softener when washing laundry. Fabric softener sheet may clog the filters and cause the dryer to overheat.



To prevent fabric damage, check that laundry will not be caught in the closed door.

2. Select a program



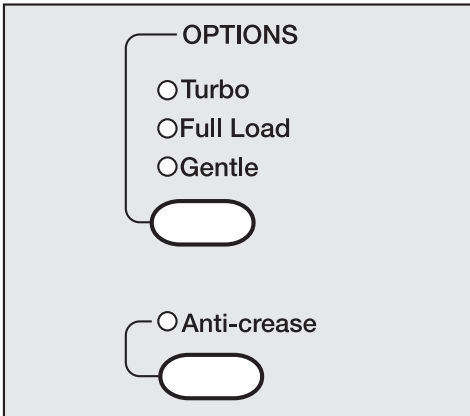
- Press the ▼ or ▲ button until the desired program indicator lights.

Using the dryer

| Program | When to use | Note |
|---|---|--|
| Normal Available drying options: Turbo, Full load, Gentle, Anti-crease | | |
| Extra Dry | Multi-layer, mixed loads of sturdy cottons, e.g. jeans, towels. | The "Extra Dry" program should not be selected for jersey materials. Items may shrink. |
| More Dry | Uniform loads of cottons, e.g. sheets, underwear, socks. | - |
| Normal | Knitted items that may shrink, e.g. jersey material or lightweight cottons. | If items are still damp, dry again using "More Dry". |
| Less Dry | Cotton or linen fabrics to be left damp for ironing. | - |
| Hand Iron | | If fabrics are too damp, dry again using "Less Dry". |
| Rotary Iron | Cotton or linen fabrics which will be ironed with a rotary iron. | To prevent moisture loss, roll up the laundry until ready to iron. |
| Wrinkle-free Available drying options: Turbo, Gentle, Anti-crease | | |
| More Dry | Synthetic permanent press items e.g. pants and shirts. | - |
| Normal | Permanent press and blended fabrics, e.g. cotton/synthetic. | |
| Less Dry | Permanent press and blended fabrics requiring an ironed finish. | Reduce load size for fabrics that wrinkle easily. |

| Special Programs Available drying options: Anti-crease only available in Fluff, Sturdy | | |
|---|---|--|
| Woolens | Delicate items which allow machine drying. | Remove items immediately at the end of the program, while still slightly damp. Allow items to air dry. |
| Smooth | Program for reducing creasing of cotton, linen or permanent press fabrics made of cotton, blends or synthetics. | - |
| Sturdy | Mixed loads of cotton and permanent press items. | - |
| Fluff | Individual items to be freshened and fluffed with cool air. | Reduce load size. |
| TIMED CYCLES Available drying options: Gentle, Anti-crease | | |
| 20 min | For individual items or very small loads, e.g. beach towels, swimsuits. | - |
| 30 min | | |

3. Select a drying option (if needed)



- A drying option can be selected or deselected with each press of the button.

OPTIONS

Turbo

Fast drying for sturdy fabrics with increased temperature and a reduced program length.

Full load

Select this option for efficient drying of a standard size load.

Gentle

For drying delicate fabrics at a lower temperature with an extended program time.

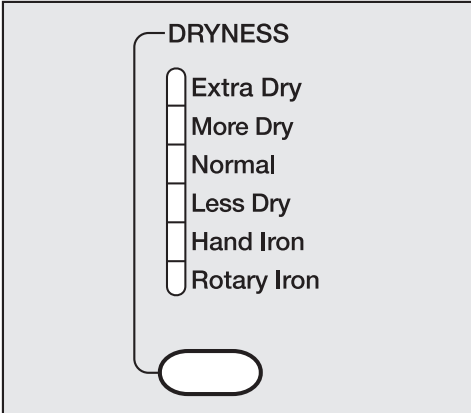
Anti-crease

Prevents wrinkles if laundry is not removed immediately after the end of a program. The drum periodically rotates for about 1 hour.

Using the dryer

4. Select the dryness level

The dryness level can be selected in the "Normal" and "Wrinkle-free" programs. (The dryness level of the other programs cannot be adjusted.)



- Press the selection button until the desired indicator illuminates.

In the "Wrinkle-free" program, only "More Dry", "Normal" and "Less Dry" can be selected.

5. Select the buzzer (if desired)

- Press the "Buzzer" button to have a tone beep at the end of the program.

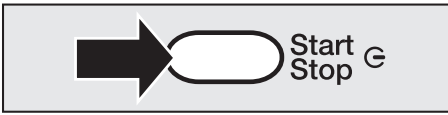
Indicator light:

- on = buzzer selected
- off = buzzer not selected

Adjusting the buzzer volume:

- the dryer must be on
- the door closed
- a program selected
- if the "Buzzer" indicator is lit, press the "Buzzer" button so its indicator light goes out.
- Press and hold the "Buzzer" button until its indicator lights and you hear the desired volume and tone.

6. Start the program



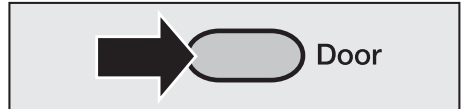
- Press the "Start/Stop **G**" button.

Once the program starts, the current cycle of the program will be indicated in the "STATUS" display.

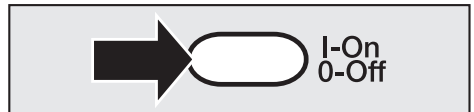
7. At the end of a program

The "Anti-crease/End" indicator will light at the end of a program and the buzzer will sound if it was selected.

If a fault occurred, a "FAULT" indicator will light. See "Frequently asked questions" for details.




- Press the "Door" button.
- Open the door.
- Remove the laundry.
- Check that the drum is empty.
- Clean the lint filter after each use (see "Dryer care").
- Close the door.






- Press the "On/Off" button to turn off the dryer.

Using the dryer

Canceling or changing a program


- Press and release the "Start/Stop " button to stop the drying program.

To continue drying:

- Select the new program by pressing the  or  button.
- Select any desired options.
- Select a dryness level (available in the "Normal" and "Wrinkle-free" programs).
- Press and release the "Start/Stop " button to start the new program.

Adding or removing laundry during a program

- Turn off the dryer using the "On/Off" button.
- Press the "Door" button.
- Open the door.

 CAUTION - Do not touch the rear of the drum while adding or removing items! There is a danger of burns due to high temperatures in the drum.

- Add or remove items.
- Close the door.
- Turn the dryer back on with the "On/Off" button.

Child lock

When activated, the child lock prevents the dryer from being operated by locking the control panel functions.

The dryer can be turned on but not started. The "Child lock" indicator will flash.

The door can be opened.

To activate the child lock

- 1.** Make sure the dryer is turned off and the door is closed.
- 2.** Press and hold the "Anti-crease" and "DRYNESS" buttons at the same time, hold until step 5.
- 3.** Turn on the dryer with the "On/Off" button.
- 4.** Press the "OPTIONS" button 3 times.
- 5.** Release the "Anti-crease" and "DRYNESS" buttons.

The "Child lock" indicator will flash and the dryer is now locked.

- 6.** Turn off the dryer using the "On/Off" button.

To deactivate the child lock

Repeat steps **1.** to **5.**


The "Child lock" indicator will go out.

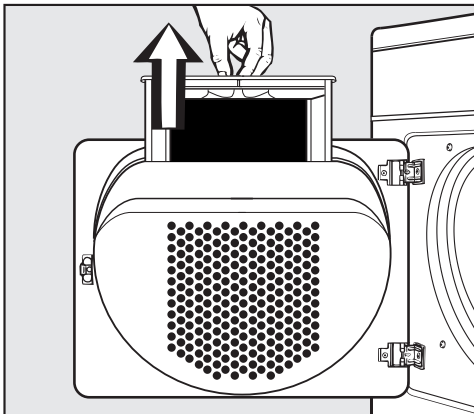
The control panel is now unlocked.

- 6.** Turn off the dryer using the "On/Off" button.

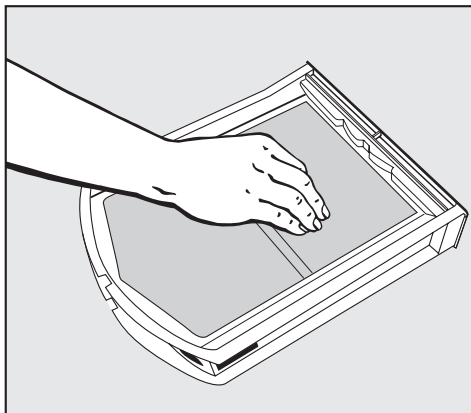
Dryer care

Cleaning the lint filter

 A clogged filter is a fire hazard!
The lint filter must be cleaned after every program.




- Open the door and remove the lint filter by gently lifting it upwards.



- Wipe the lint off the filter with your hand (do not use any sharp objects!)
- Any lint remaining in the hollow part of the door can be removed through the gap at the bottom with a dust brush or vacuum.
- Return the lint filter and close the door.

The lint filter can be rinsed with hot water if necessary. The filter must be dried thoroughly before being returned to the dryer door.

Cleaning the exterior and the control panel

 To reduce the risk of electric shock, disconnect the dryer from the power supply by shutting off the power main, tripping the circuit breaker or unplugging the power cord before performing maintenance.

Never use abrasive cleaners, scouring pads, steel wool or caustic (oven) cleaners on the dryer. They will damage the surface.


- The exterior and the control panel can be cleaned with warm water and liquid dish soap applied with a soft sponge.
- Wipe dry.

Cleaning the drum

- The stainless steel surfaces of the drum can be cleaned using a non-abrasive stainless steel cleaner.
- Wipe clean with a soft cloth.

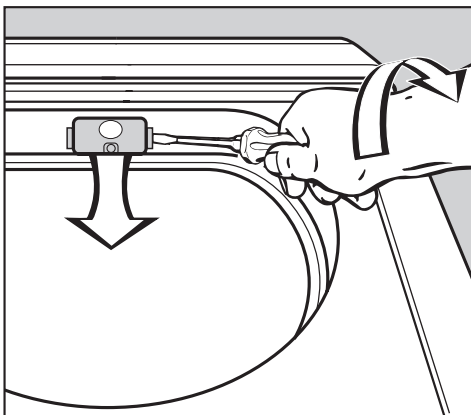
Dryer care

Changing the light bulb

 To reduce the risk of electric shock, disconnect the dryer from the power supply by shutting off the power main, tripping the circuit breaker or unplugging the power cord before performing maintenance.

- Open the door.

The bulb cover is located along the upper rim of the drum opening.




- Slide a screwdriver with a wide head underneath the side edge of the bulb cover and twist (see illustration).
- Flip down the bulb cover.

- Replace the light bulb with a temperature proof bulb, available from Miele.

The light bulb must not exceed the maximum wattage listed on the data plate.

- Flip up the light bulb cover and press it firmly until it clicks into place.

 Make sure the bulb cover is securely closed to prevent a short circuit or penetrating moisture.

- Restore power.

Frequently asked questions

| What if the dryer will not run? | |
|---|---|
| Possible fault | Fix |
| The "Start/Stop T" button was not pressed. | Make sure the dryer is on. Press the "Start/Stop T" button to begin the drying program. |
| The circuit breaker tripped or the dryer is unplugged. | Make sure the dryer is plugged in or reset the circuit breaker. |
| The door is not closed. | Close the door properly. |
| How do I prevent static cling? | |
| Add fabric softener to laundry when washing or select the "Less Dry" setting on the dryer. | |
| What if the drum light does not come on? | |
| Possible fault | Fix |
| The bulb may be bad or burned out. | See "Changing the light bulb." |
| What if the "Child Lock" indicator flashes after turning the dryer on and a program cannot be started? | |
| Possible fault | Fix |
| The child lock is activated. | Deactivate the child lock. See "Child Lock." |
| What if the program stops, the "Anti-crease / End" indicator lights and the buzzer sounds? | |
| Possible fault | Fix |
| The drum is empty. | Load laundry into the dryer. The dryer will not operate when the drum is empty. Single items should be dried with "Sturdy" or a timed program and dry items in the "Fluff" program. |
| What if the "Filter/Vent" fault indicator is lit? | |
| Possible fault | Fix |
| The lint filter is clogged. | Clean the lint filters. See "Dryer care". |
| The exhaust hose or the connection is clogged with lint. | Remove lint and check the exhaust system for blockages. |
| The air supply in the room is insufficient. | Open a window or door to increase airflow. |

Frequently asked questions

What if the "Filter/Vent" indicator lights after cleaning the exhaust system?

| Possible fault | Fix |
|---|--|
| The dryer is not operating efficiently because the duct hose is too long. | Check the exhaust length and diameter (see "How to calculate the effective duct length"). A long exhaust hose will increase program times and energy consumption. If the exhaust hose cannot be shortened, the indicator can be turned off by a service technician. |

What if the program runs too long or stops?

| Possible fault | Fix |
|--|--|
| The airflow is insufficient in the area of the dryer. | Open a window or door to increase airflow. |
| The lint filters are clogged. | Clean the lint filters (see "Dryer care"). |
| The laundry was not spun sufficiently in the washer. | Select a higher spin speed in the wash program. |
| The dryer is overloaded. | Reduce the load size. |
| Metal zippers interfere with the dryer's moisture sensors. | Select a timed program to avoid overdrying. |
| An airflow gap of 3/8" (10 mm) must be provided between the machine and the floor. | This gap must not be blocked by a toekick or thick piled carpets for sufficient airflow. |

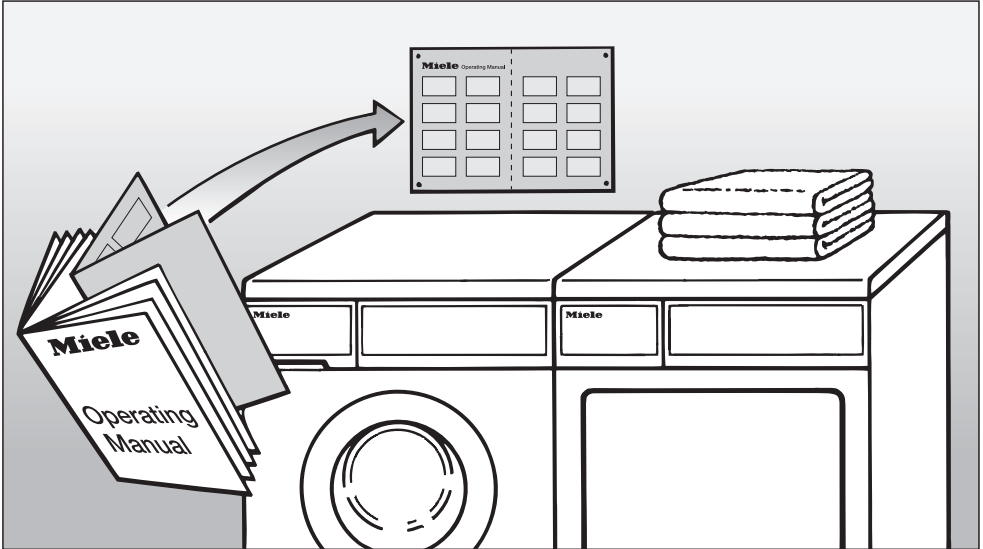
What if the laundry is not dry enough?

| Possible fault |
|---|
| The load contained too many dissimilar items (size and fabric.) |

What if water has collected around the drum opening?

| Possible fault |
|--|
| This is condensed moisture from the laundry. |

Quick Guide

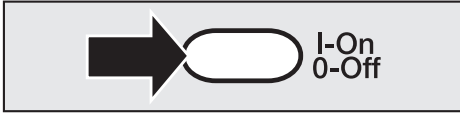


Remove this guide for easy reference

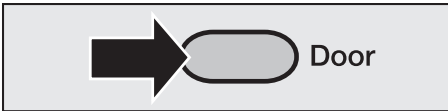
Please read all instructions, especially the "Important Safety Instructions", **before** using the dryer.

Quick Guide

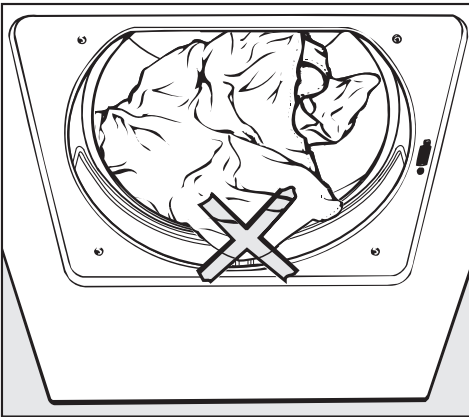
1. Turn on the dryer and load the laundry



- Press the "On/Off" button to turn on the dryer.



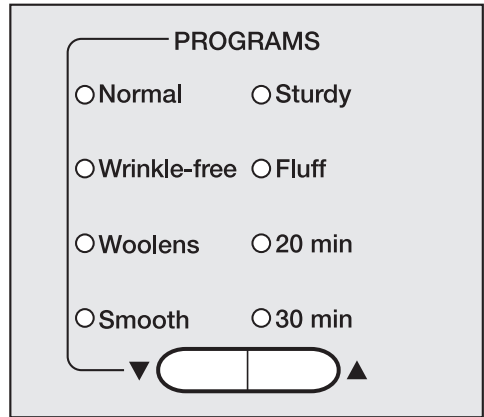
- Press the "Door" button to open the door.
- Load the laundry into the drum. Make sure that there is enough space in the drum for clothes to tumble freely.



To prevent fabric damage, check that laundry will not be caught in the closed door.

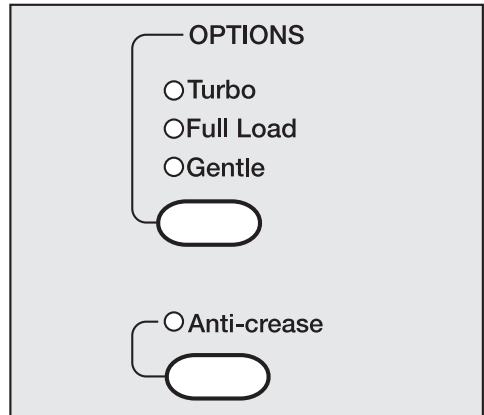
- Close the door with a firm swing - do not push it shut.

2. Select a program



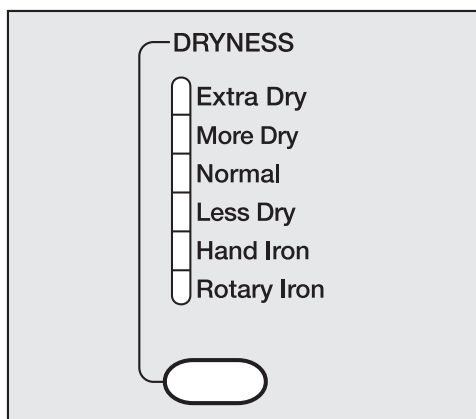
- Press the ▼ or ▲ button until the desired program indicator lights.

3. Select a drying option (if needed)



- A drying option can be selected or deselected with each press of the button.

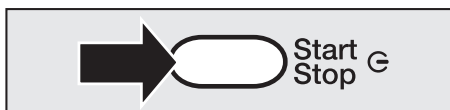
4. Select the dryness level



- Press the selection button until the desired indicator illuminates.

5. Select the buzzer (if desired)

6. Start the program



- Press the "Start/Stop G" button.

7. At the end of a program

The "Anti-crease / End" indicator will light.

- Press "Door" and remove the laundry.
- Clean the lint filter.
- Press the "On/Off" button to turn off the dryer.

Quick Guide

| Program | When to use | Note |
|---------------------|---|--|
| Normal | Available drying options: Turbo, Full load, Gentle, Anti-crease | |
| Extra Dry | For laundry to be folded and shelved immediately, e.g. jeans, towels. | The "Extra Dry" program should not be selected for jersey materials. Items may shrink. |
| More Dry | For uniform loads, e.g. sheets, underwear, socks. | - |
| Normal | For knitted items that may shrink, e.g. jersey material or lightweight cottons. | If items are still damp, dry again using "More Dry". |
| Less Dry | For items to be left damp for ironing. | - |
| Hand Iron | | If fabrics are too damp, dry again using "Less Dry". |
| Rotary Iron | For items to be ironed with a rotary iron. | To prevent moisture loss, roll up the laundry until ready to iron. |
| Wrinkle-free | Available drying options: Turbo, Gentle, Anti-crease | |
| More Dry | For items that do not require ironing, e.g. pants and shirts. | - |
| Normal | For items to be hung after drying. | |
| Less Dry | For items which require ironing. | Reduce load size for fabrics that wrinkle easily. |

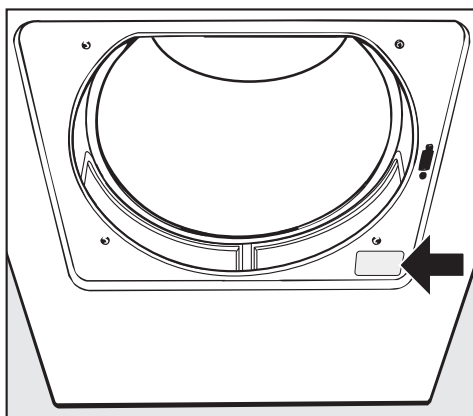
| Special Programs Available drying options: Anti-crease only available in Fluff, Sturdy | | |
|---|---|--|
| Woolens | Delicate items which allow machine drying. | Take items out immediately after the end of the program while still slightly damp. Allow items to air dry. |
| Smooth | Program for reducing creasing in delicate items. | - |
| Sturdy | For mixed loads of durable items. | - |
| Fluff | Individual items to be freshened and fluffed with cool air. | Reduce load size. |
| TIMED CYCLES Available drying options: Gentle, Anti-crease | | |
| 20 min | Individual items or very small loads, e.g. beach towels, swimsuits. | - |
| 30 min | Individual items or very small loads, e.g. beach towels, swimsuits. | |

In the event of a fault you cannot fix yourself, please contact the Miele Technical Service Department

USA 1-800-999-1360
techserv@mieleusa.com

CDN 1-800-565-6435
service@miele.ca

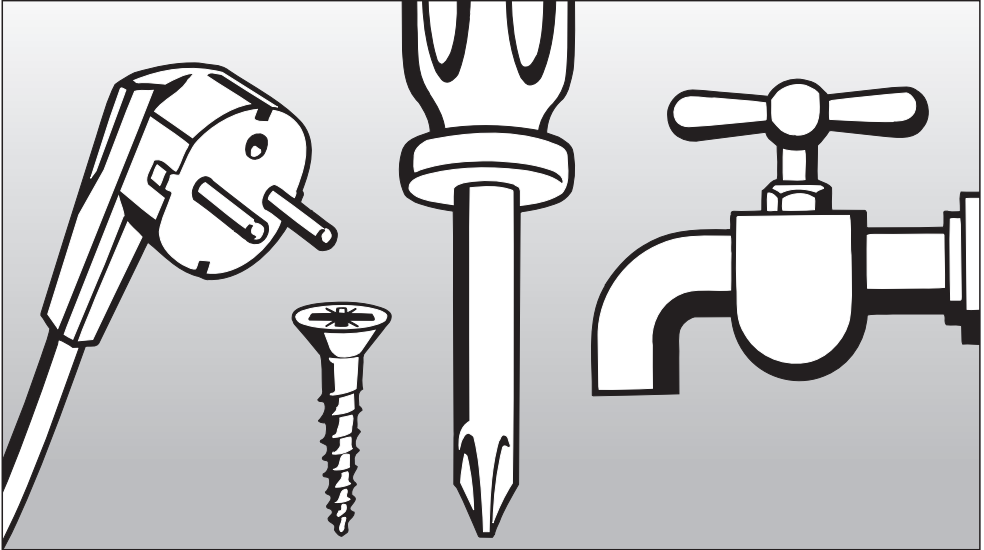
When contacting Technical Service, please quote the model and serial number of your appliance. They can be found on the data plate located below the drum opening.



PC Update

The indicator on the control panel marked PC allows a technician to update the dryer to make use of new technology.

For example, if new programs or fabrics are developed, a service technician will be able to modify the existing program cycles accordingly.



Installation Instructions

IMPORTANT SAFETY INSTRUCTIONS

■ Installation, repair and maintenance work should be performed by a Miele authorized service technician. Work by unqualified persons could be dangerous and could void the warranty.

■ Before installation, disconnect the tumble dryer from the electrical supply by shutting off the power main, unplugging the power cord or tripping the circuit breaker. Do not restore power until the installation is complete.

GROUNDING INSTRUCTIONS

■ This appliance must be grounded. In the event of malfunction or breakdown, grounding will reduce the risk of electric shock by providing a path of least resistance for electric current. This appliance is equipped with a cord having an equipment grounding conductor and a grounding plug. The plug must be plugged into an appropriate outlet that is properly installed and grounded in accordance with all local codes and ordinances.

■ **WARNING** – Improper connection of the equipment grounding conductor can result in a risk of electric shock. Check with a qualified electrician or service representative or personnel if you are in doubt as to whether the appliance is properly grounded.

■ Do not modify the plug provided with the appliance! If it will not fit the outlet, have a proper outlet installed by a qualified electrician.

■ This dryer must be vented outdoors to reduce the risk of fire. Be sure to observe local building codes.

■ Use flexible or rigid metal pipe for venting. Non-metallic flexible hose should not be used, it is a potential fire hazard.

■ The dryer exhaust must not be connected to a chimney, ducting which ventilates rooms with fireplaces, a combustion appliance vent flue, a wall, ceiling or concealed space of a building.

■ If there is any doubt concerning installation, contact Miele's Technical Service Department.



1-800-999-1360
techserv@mieleusa.com



1-800-565-6435
service@miele.ca

Disposal of the packing materials

The cardboard box and packing materials protect the appliance during shipping. They have been designed to be biodegradable and recyclable.

To prevent suffocation of children, ensure that any plastic wrappings, bags, etc. are disposed of safely and kept out of the reach of children.


Disposal of an appliance

Old appliances may contain materials that can be recycled. Please contact your local recycling authority about the possibility of recycling these materials.

Ensure that a discarded dryer presents no danger to children. While being stored for disposal remove the door to the drying compartment.

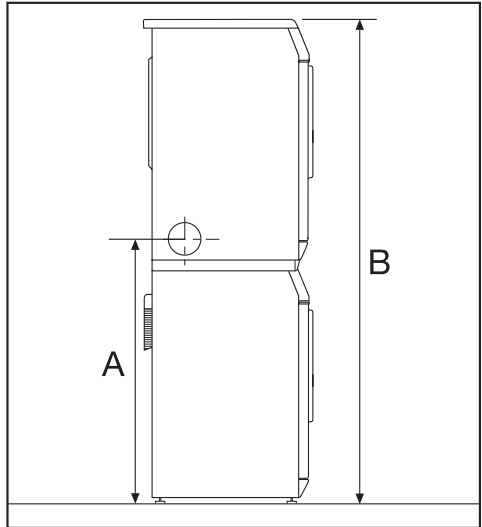
Washer / Dryer Stack

The tumble dryer can also be placed on top of a Miele washing machine for a stacked installation. An appropriate stacking kit is required. The stacking kit is available from your Miele dealer or the Miele Technical Service Department.

 Installation of the stacking kit must be performed by a Miele authorized technician.

Height of vent adapter in a stacked installation

Miele washer with a flat or angled control panel



5' 6 ³/₈" (168.6 cm)
Stacking kit with a pull out shelf

GROUNDING INSTRUCTIONS

This appliance must be grounded. In the event of malfunction or breakdown, grounding will reduce the risk of electric shock by providing a path of least resistance for electric current. This appliance is equipped with a cord having an equipment grounding conductor and a grounding plug. The plug must be plugged into an appropriate outlet that is properly installed and grounded in accordance with all local codes and ordinances.

WARNING – Improper connection of the equipment grounding conductor can result in a risk of electric shock. Check with a qualified electrician or service representative or personnel if you are in doubt as to whether the appliance is properly grounded.

Do not modify the plug provided with the appliance! If it will not fit the outlet, have a proper outlet installed by a qualified electrician.

The dryer comes with a 5 ft long, 12/4 AWG cord and a NEMA 14-30 P plug.


It should be connected to a 120/208-240 V, 15 A, 60 Hz AC power supply. A 3 pole-4 wire grounding power outlet (NEMA type 14-30 R) is necessary.


EASY INSTALLATION KIT

If you do not have a dedicated 15 Amp line for this appliance, but you have the standard, 120/208-240 V - 30 Amp, 60 Hz AC outlet, you can use the "Easy Installation Kit", which allows you to use that line to connect the dryer to power.

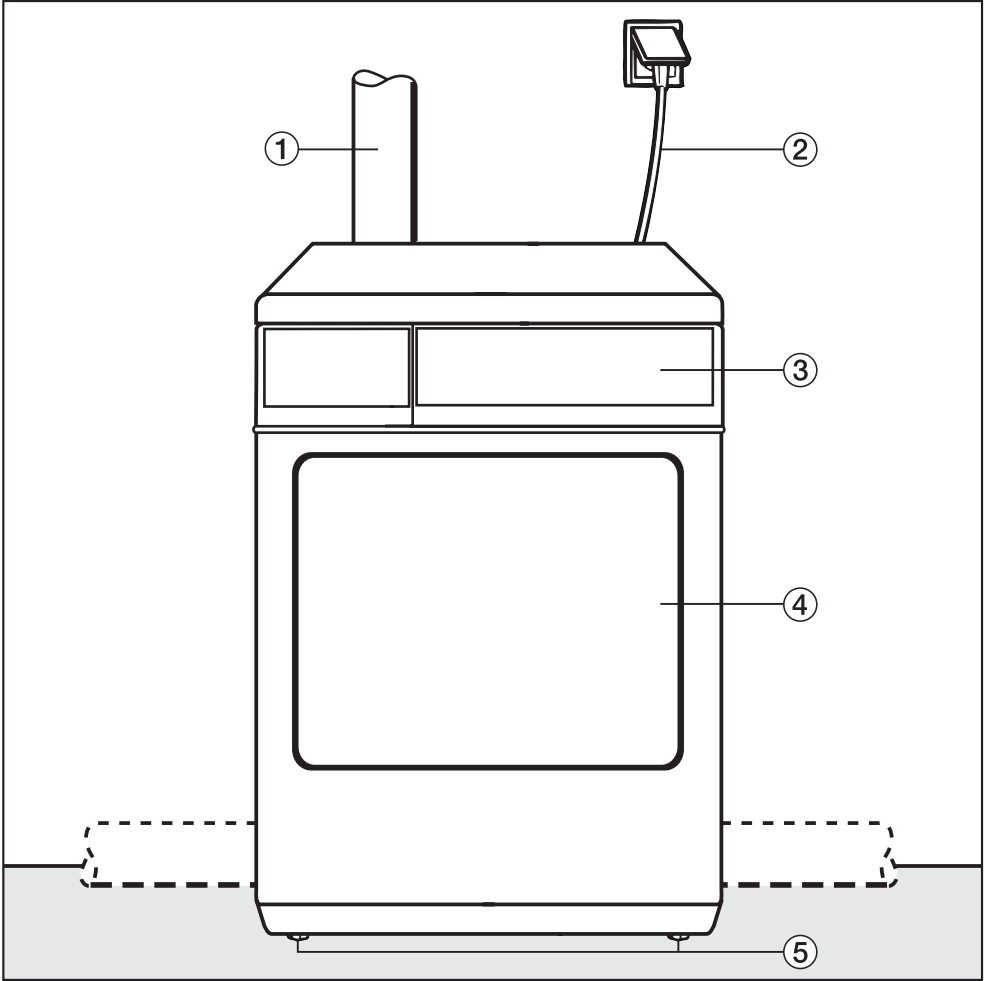
057B for on-site outlet NEMA 10-30 R
060B for on-site outlet NEMA 14-30 R

For more information on the "Easy Installation Kit" or if you have questions concerning the electrical connection, please contact:

 1-800-999-1360
techserv@mieleusa.com

 1-800-565-6435
service@miele.ca

Installation



① Exhaust connection:
The exhaust hose can be installed either at the rear, left or right of the dryer.

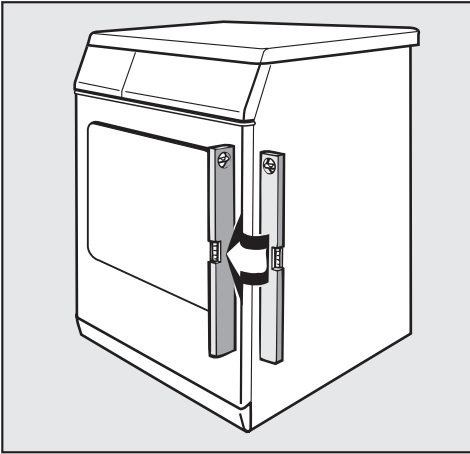
② Power cord with plug

③ Control panel

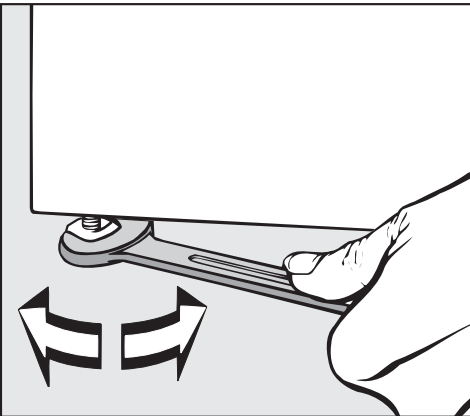
④ Door

⑤ Four height adjustable feet

Leveling the dryer



The dryer must be level to ensure safe and proper operation. Minor discrepancies do not however, have an adverse effect on operation.



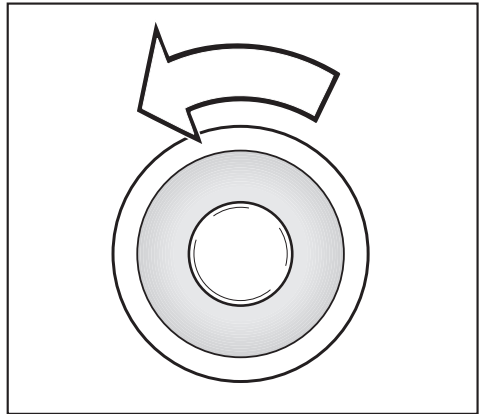
The machine can be leveled by turning the legs clockwise or counterclockwise as necessary.

Determining the position of the exhaust connection

The exhaust connection can be left at the rear of the dryer (factory standard) or moved to the left or right side of the dryer.

Changing the position of the exhaust connection

- Remove the exhaust connection cover on the left or right side of the dryer.



- Turn the cover counterclockwise to remove it.
- Firmly press the cover into the rear opening.

Installation

Installation tips

An airflow gap of $\frac{3}{8}$ " (10 mm) must be provided between the machine and the floor. This airflow gap must not be blocked by a toekick or thick piled carpets.

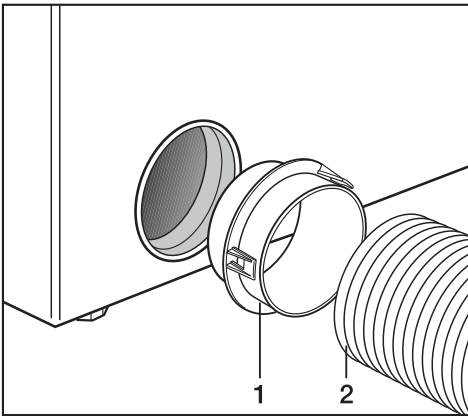
Do not install the dryer next to a refrigerator. The warm air exhausting from the dryer can affect the thermostat of the refrigerator, causing it to run continuously.

Exhaust connection with a flexible exhaust hose or rigid pipe

Using the connector supplied, an exhaust hose (4" [100 mm] diameter) can be installed.

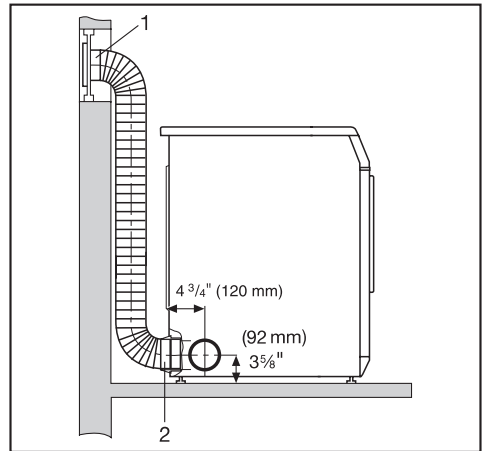
Necessary materials:

- a wall or window duct
- an exhaust hose made of approved non-flammable material



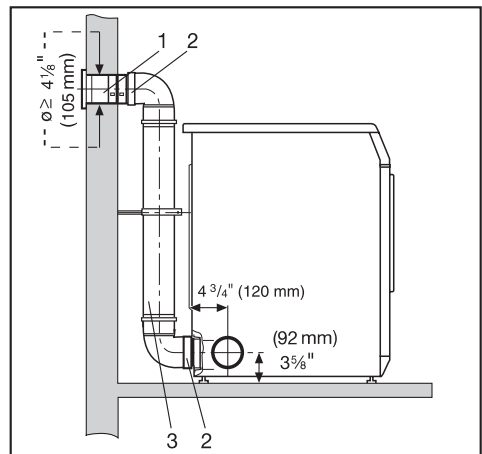
- Install the connector, **1**, with the exhaust hose or pipe, **2**, to the dryer.

Window connection



- 1 Window connection (installed in a plexiglass pane)
- 2 Connector for the flexible exhaust hose

Wall connection with rigid pipe



- 1 Wall pipe
- 2 Connector
- 3 Rigid pipe

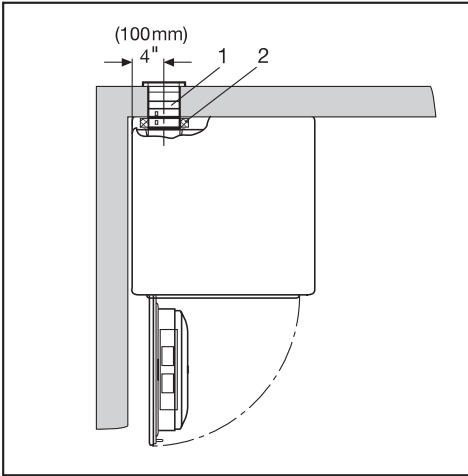
Installation

Direct wall connection

Necessary materials:

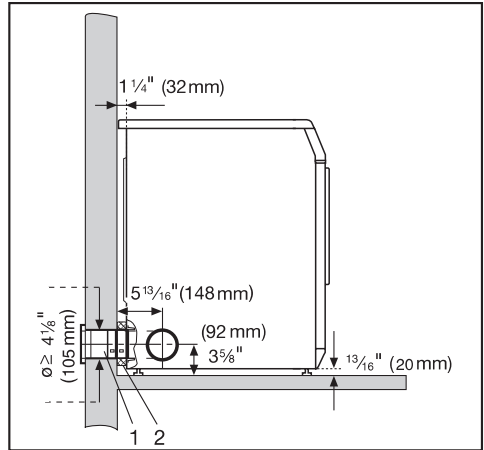
- a wall pipe
- flexible foam gasket

Dryer top view

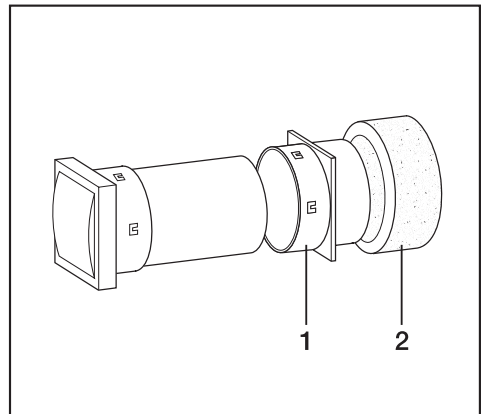


- 1 Wall pipe
- 2 Flexible foam gasket

Dryer side view



- 1 Wall pipe
- 2 Flexible foam gasket



- Connect the flexible foam gasket, **2**, to the wall pipe connector, **1**.
- Push the dryer to the wall.

How to calculate the effective duct length

The overall duct length will determine the duct diameter.

■ Measure the actual duct length needed to go from the dryer's exhaust connection to the vent outlet:

1. Establish the number of elbows or bends necessary, noting the type of bend, angle and radius involved (see Table).
2. Add the additional duct length (as derived by using the values specified in the table) to the actual duct length to get the effective length.

Note:

Maximum effective duct lengths:

| | |
|----------------------|----------------|
| 4" (100 mm) diameter | 66 ft (20 m) |
| 5" (125 mm) diameter | 132 ft (40 m) |
| 6" (150 mm) diameter | 328 ft (100 m) |

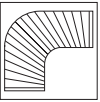
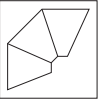
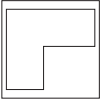
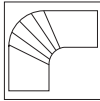
Effective duct lengths over 66 ft (20 m) require a larger duct diameter.

Longer ducts may lead to slight decreases in dryer efficiency if the necessary duct diameter is not employed.

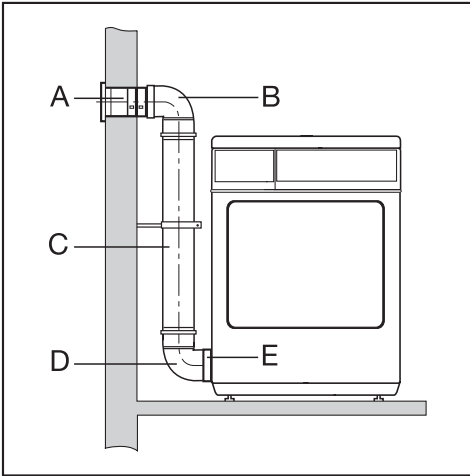
Tips about the ductwork

- Check with your local building code to determine the maximum allowable duct length.
- Use flexible metal pipe or rigid metal pipe for venting. Non-metallic flexible hose should not be used since it is a potential fire hazard.
- For best drying results avoid extra long ducting with too many bends, angles or tight corners.
- The shorter the exhaust ductwork, the more efficient the dryer will be. Expelled air is slowed down in the ducts due to friction against the inner walls. The shorter and smoother the inner walls are, the less friction will be created.
- An elbow or bend creates more friction than a straight duct. An additional duct length factor must be added for each elbow or bend (see Table). This factor expresses the resistance of the bend in terms of a straight length of duct. The additional length factor is then added to the existing duct to give the effective duct length. A larger duct diameter helps to reduce friction. Therefore the duct diameter and length should be increased simultaneously.

Installation

| Additional duct lengths (4" rigid pipe only) | | | | |
|--|--------|----|------------------------|-----|
| Type of bend | Radius | | Additional duct length | |
| | ft | cm | ft | cm |
| Flexible metal duct – 3' 3" (1 m) straight – 45° angle – 90° angle  | 10" | 25 | 5' 11" | 180 |
| | 10" | 25 | 4' 11" | 150 |
| | 10" | 25 | 8' 2" | 250 |
| Smooth metal duct – 3' 3" (1 m) straight – 45° angle – 90° angle  | 10" | 25 | 3' 3" | 100 |
| | 10" | 25 | 1' 11" | 60 |
| | 10" | 25 | 2' 7" | 80 |
| Elbow 90° sharp  | | | 7' 6" | 230 |
| Concertina bend – 90° angle  | 8" | 20 | 2' 4" | 70 |
| Wall vent or window vent – with louvers – with flap | | | 12' 5" | 380 |
| | | | 4' 11" | 150 |
| Exhaust connection – left or right side | | | 3' 3" | 100 |

Example: Calculating the effective duct length and required internal duct diameter



| Rigid pipe | | Duct length ft | Duct length m |
|--------------------------|-----------------------------------|-------------------|------------------|
| A | Wall duct with louvered wall vent | 12' 5" | 3.8 m |
| B | 90° bend | 2' 7" | 0.8 m |
| C | 20" (0.5 m) rigid pipe | 1' 7" | 0.5 m |
| D | 90° bend | 2' 7" | 0.8 m |
| E | left vent opening | 3' 3" | 1.0 m |
| Total duct length | | 22' 5" | 6.9 m |

The total duct length is less than 33 feet (10 m), so a duct diameter of 4" (100 mm) with adapter is sufficient.

When contacting the Technical Service,
please quote the model and serial number
of your appliance.

The Miele logo is displayed in a bold, white, serif font against a solid black rectangular background.

Miele, Inc. (USA)

National Headquarters

9 Independence Way
Princeton, NJ 08540
Phone: 800-843-7231
609-419-9898
Fax: 609-419-4298
www.mieleusa.com

Technical Service & Support

Nationwide

Phone: 800-999-1360
Fax: 888-586-8056

Miele Limited (CDN)

National Headquarters

55G East Beaver Creek Road
Richmond Hill, ON L4B 1E5
Phone: 800-643-5381
905-707-1171
Fax: 905-707-0177
www.miele.ca
info@miele.ca (general enquiries)
professional@miele.ca (commercial enquiries)

Mielecare National Service

Phone: 800-565-6435
905-850-7456
Fax: 905-850-6651
service@miele.ca (Tech. Service)